

## Contact

+49 89 189 41 49-11

[info@bay-sensortec.com](mailto:info@bay-sensortec.com)



## Gyro Sensor

**BST 83G1C** uniaxial

### Features

- Very small housing
- Low power consumption
- Low noise
- Aluminium Housing
- 0 Hz (DC)

### Application

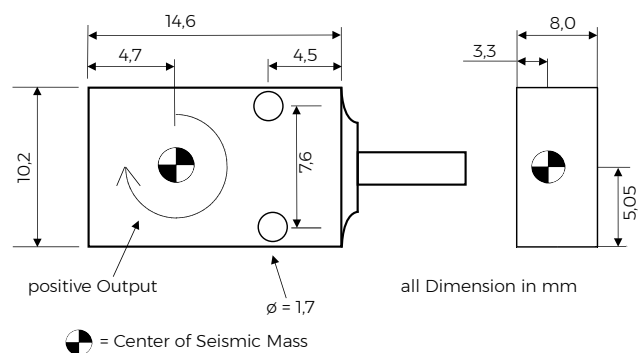
- Crash-Test

### Description

The Model **BST 83G1C** is a uniaxial Angular-Rate-Sensor, based on MEMS Technology, its design is especially for Car-Safety-Tests with Differential Signal Output.

Due to the very small size make it easy to mount it on difficult places or on a little triaxial mounting block. The mounting block is prepared for three accelerometers. The **BST 83G1C** is very shock resistant. The sensor has 6 m high rugged shielded PUR-cable which is useable for connector from Lemo or ODU with Dallas ID and Shunt.

### Dimensions



## Specifications

Ranges (°/S)	900	1500	2700	5000	10000
Sensitivity typ. (mV/°/s)	2,2	1.35	0.73	0.4	0.2
Frequency (Hz)	100	100	100	150	150
Supply Voltage	7 to 28 VDC				
Zero Output	0 +/- 150 mV				
Current	6 mA max.				
Signal Spann	2 000 mV DC				
Linearity	< 0,5 % FS typ.				
Cross Axis Sensitivity	1 % typ. max. 3 %				
Shock Resistance	2000 g				
TC Zero	0,03 %/°/s FSO				
TC Signal	+/- 1 % typ. (+/- 3% max.)				
Operation Temp.	-20° to 70° C				
Storage Temp.	-25° to 100° C				
Material	Aluminium, anodized				
Wight	3 gram without cable				
Cable	4-wire AWG 32, PUR, Ø 2.3 mm				
Dimension	14,6 x 10,2 x 8,0 mm (l x w x h)				

## Cable Code Single ended

red = Excitation +      green = Signal +  
black = Excitation -      white = Signal -

## Order information

### BST 83G1C-2700-6Z

83G1C = Model Name  
2700 = Range 2700 °/S  
6 = 6 m Cable  
Z = no connector

## Optional

triaxial Mounting Block  
ID-Modul  
Connector